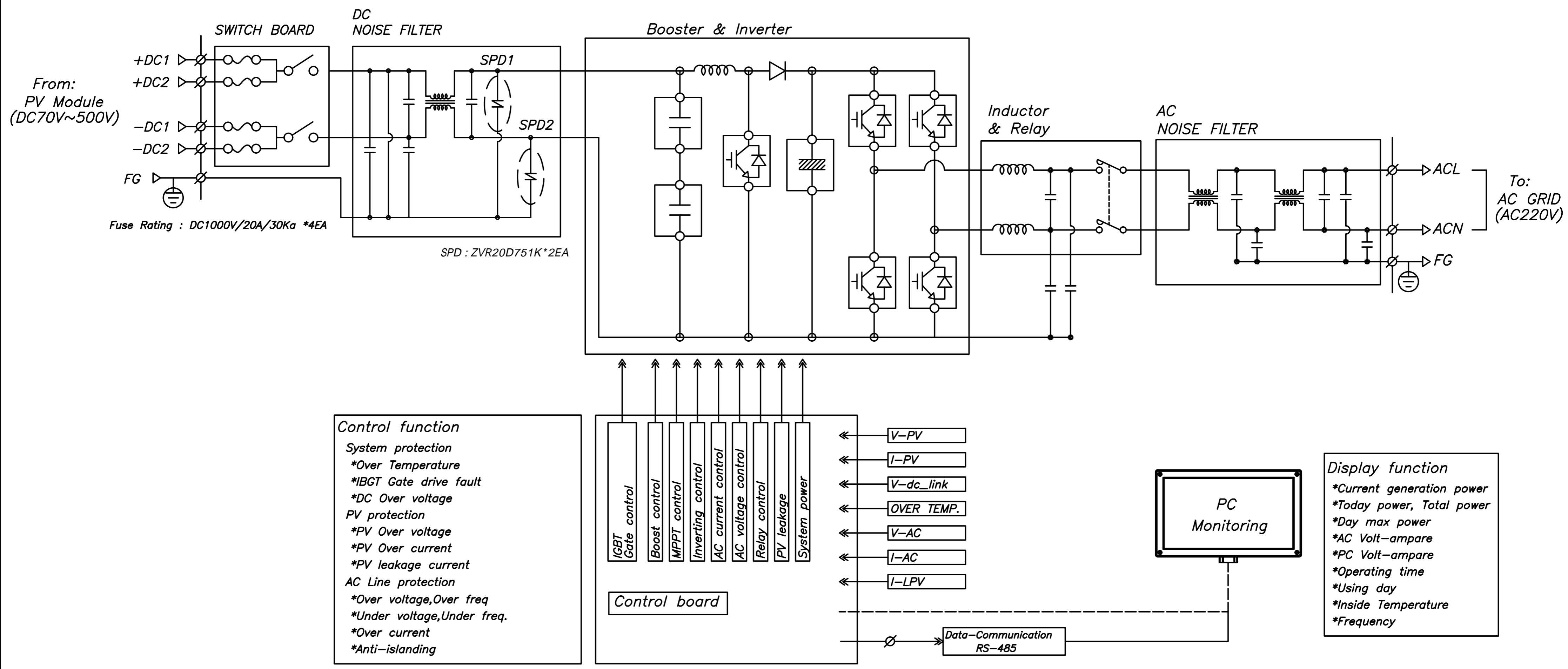


| REV. | E.C.O NO. | DESCRIPTION | DATE | APP'L |
|------|-----------|-------------|------|-------|
|      |           |             |      |       |



**BLOCK DIAGRAM OF PCS**  
**MODEL : S37K / S3R7K-A / S3R7K-B (접속반 내장형)**

|  |                |            |           |                          |             |
|--|----------------|------------|-----------|--------------------------|-------------|
| UNLESS OTHERWISE SPECIFIED             | APPROVALS      | DATE       |           |                          |             |
| PRESS : APPLY TO KSB-0413 ( )          | DRAWN I.H.HONG | 2019.03.06 | MODEL     | S37K / S3R7K-A / S3R7K-B |             |
| MOLD : APPLY TO ( ) RESIN BY DIN 16901 | REVIEWED       |            | PART NAME | 내부블럭도                    | REV.        |
| CUSHION : APPLY TO KSB-1513            | APPROVAL       |            | OWG. NO.  |                          | SIZE A2     |
| THIRD ANGLE PROJECTION                 | OTHER          |            | Q'TY 1    | MATERIAL                 | SCALE N / S |
|  |                |            | UNIT m/m  | SHEET                    | 1 of 1      |